

Contender



features & benefits

Our best-selling unit, the Contender has become a market leader, proving its dependability time after time. A good all around "workhorse", the Contender offers a strong construction combined with a sleek and ergonomic appearance. System comes with a carry bag and is available in high-shine silver.

Contender Mini
 Silver: CN-24-S
 Black: CN-24-B
 Contender Standard
 Silver: CN-30-S
 Black: CN-30-B
 Contender Mega
 Silver: CN-36-S
 Black: CN-36-B
 Contender Monster
 Black: CN-48-B

hardware specifications

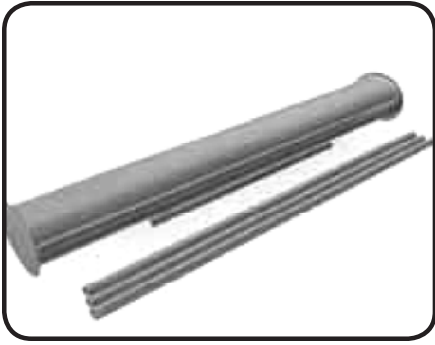
graphic specifications

additional info

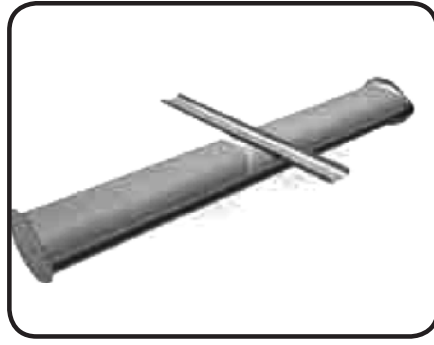
Height: 78" h (1981mm)	Graphic Size	Shipping dimensions	Weight
	Mini 23.5"W (597mm) x 77.5"H (1969mm) (+ 1/2" (13mm) bleed at the top and 6" (152mm) bleed at the bottom)	Mini 33" x 6" x 6" (838mm x 152mm x 152mm)	8 lbs.
	Standard 29.5"W (750mm) x 77.5"H (1969mm) (+ 1/2" (13mm) bleed at the top and 6" (152mm) bleed at the bottom)	Standard 34" x 6" x 6" (864mm x 152mm x 152mm)	9 lbs.
	Mega 35.5"W (902mm) x 77.5"H (1969mm) (+ 1/2" (13mm) bleed at the top and 6" (152mm) bleed at the bottom)	Mega 40" x 6" x 6" (1016mm x 152mm x 152mm)	11 lbs.
	Monster 47.5"W (1207mm) x 77.5"H (1969mm) (+ 1/2" (13mm) bleed at the top and 6" (152mm) bleed at the bottom)	Monster 51.25" x 5.25" x 5.25" (1302mm x 133mm x 133mm)	11 lbs.
	Graphic type: Flexible inkjet, fabric or vinyl. 0.012 (12 mil) max thickness		Bag: black with red handle straps

We are continually improving and modifying our product range and reserve the right to vary the specifications without prior notice. All dimensions and weights quoted are approximate and we accept no responsibility for variance. E&OE.

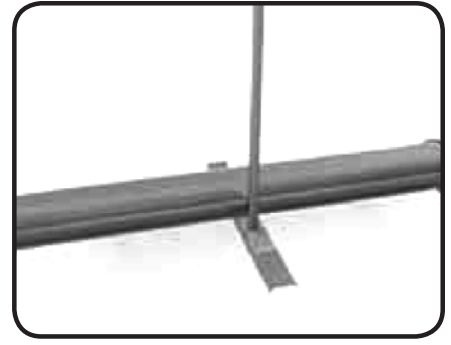
Assembly Instructions



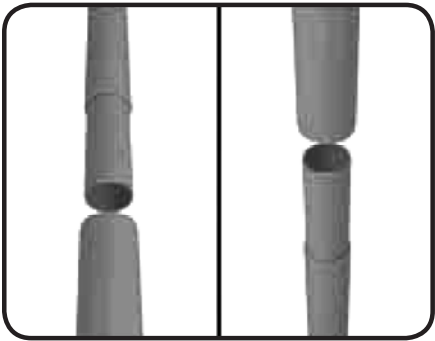
Remove the system from outer packaging and carry bag. Remove poles from underside of system.



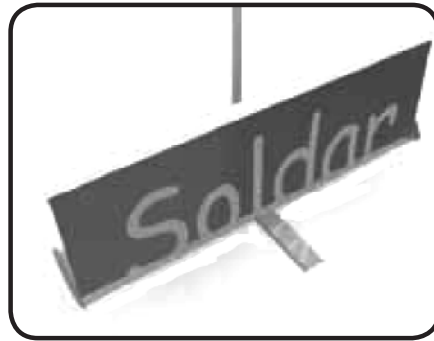
Turn system over and rotate the foot 90 degrees. Make sure that the threaded hole is to the back.



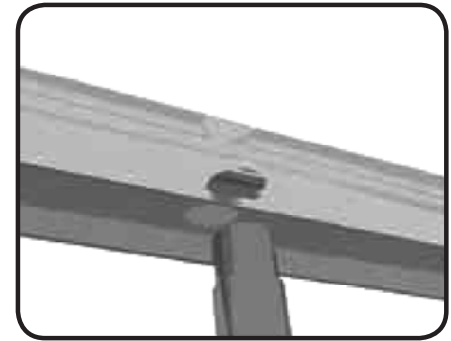
Select the pole with the threaded end and screw into the threaded hole in the foot.



Insert the middle pole (two thin end) into the bottom pole. Insert the top pole into the middle pole.



Grip the graphic rail and carefully pull it upwards.



Position the hole in the rail over the pole.



Your system is now ready to be used.

Reverse the procedure to disassemble. Take care when lowering the graphic, make sure it stays central to the system or you may damage your graphic.